

MECHANICAL SEALS AND STIRRERS



Mechanical Seals and Stirrers

For mixing operations such as liquid/liquid, gas/liquid or solid/liquid and for improving the efficiency of heating systems, we propose a mechanical seals and stirrers set adapted perfectly to our range of spherical vessels and reactors for use in pressure or vacuum range.

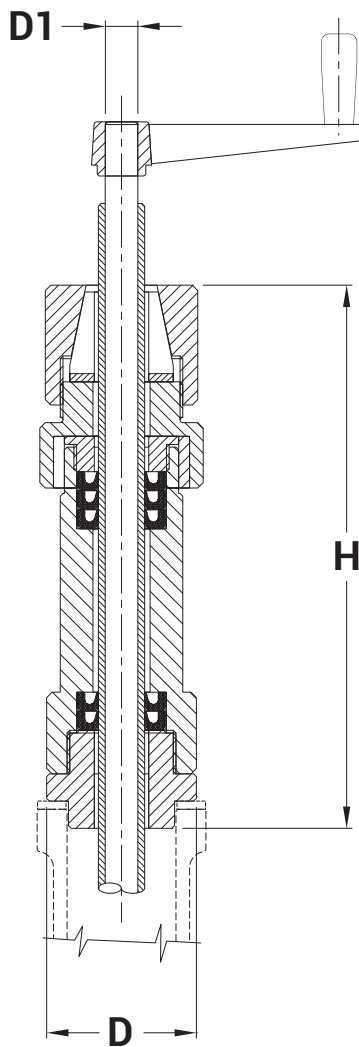


In this chapter we present :

- Mechanical seals.
- Drives.
- Shaft agitators.
- Impellers.

Soffieria Sestese may alter detail specifications at its discretion and without notice, in line with its policy of continuous development.

Dry mechanical seal for stirrers with adjustable height for Nutsche Filter

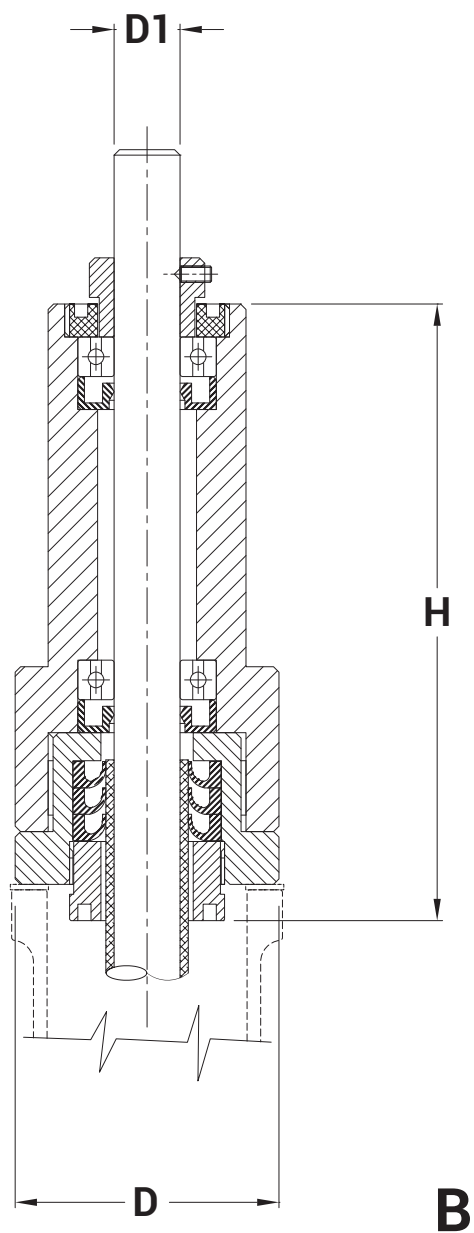


DN	D	D1	H	CODE
25	44	12	160	SHGTA025/AI
40	55	12	200	SHGTA040/AI
50	75	14	225	SHGTA050/AI

Body in stainless steel



Dry mechanical seals for stirrers



DN	D	D1	H	TYPE	CODE
15	45	8	125	A	SGTA015
25	54	20	152	B	SGTA025
40	70	20	140	B	SGTA040
50	80	30	200	B	SGTA050
80	125	30	270	B	SGTA080

Add /AI for stainless steel body

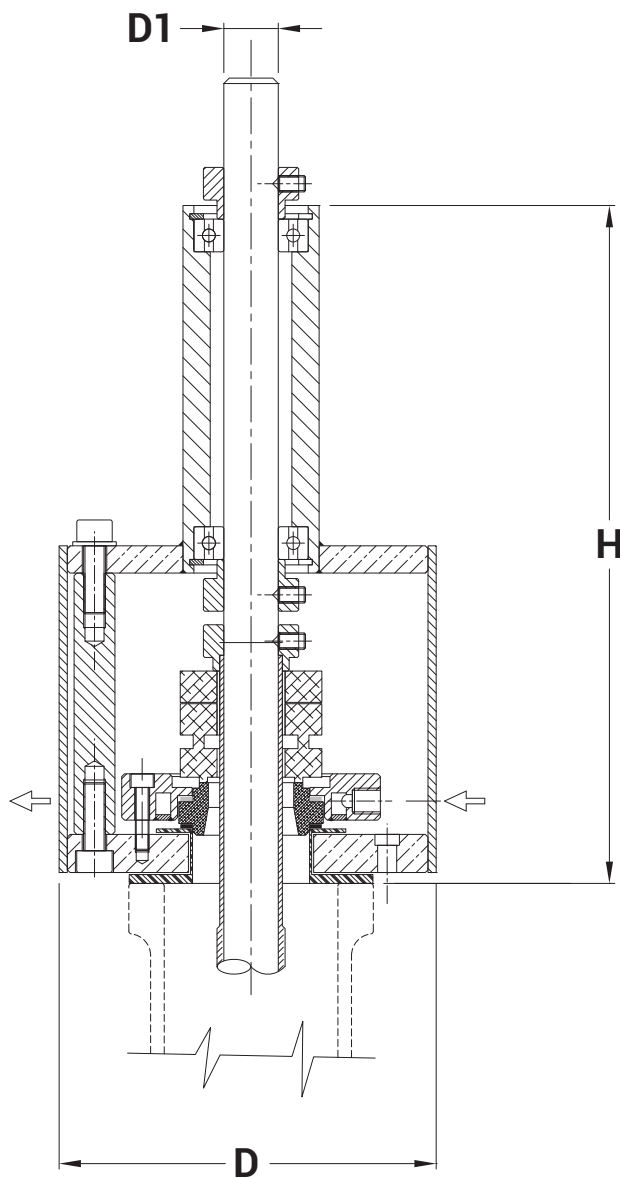
Example: SGTA025/AI



Single acting fluid lubricant mechanical seal for stirrers (ATEX version)

Due to the use of mechanical seals, Soffieria Sestese stirrers can be used both under pressure and under vacuum.

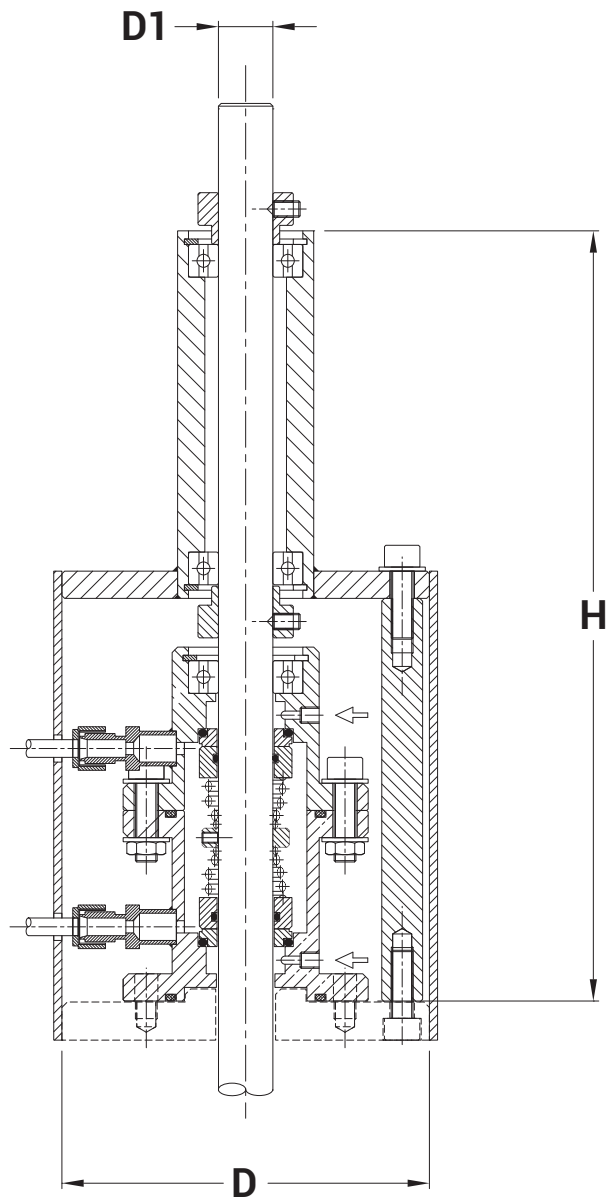
The mechanical seals used are made of materials suitable to work and operates with most of the products used in the chemical processes.



DN	D	D1	H	CODE
25	95	12	225	STSR025
40	115	12	255	STSR040
50	136	25	255	STSR050
80	172	25	225	STSR080



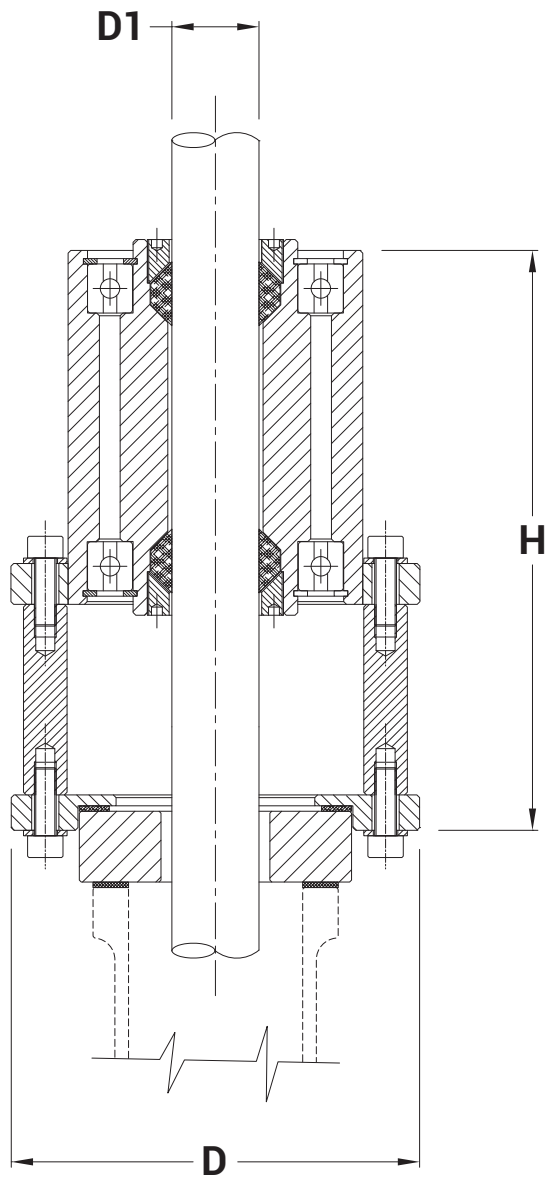
Double acting fluid lubricant mechanical seal for stirrers (ATEX version)



DN	D	D1	H	CODE
50	130	20	295	STSR050DF



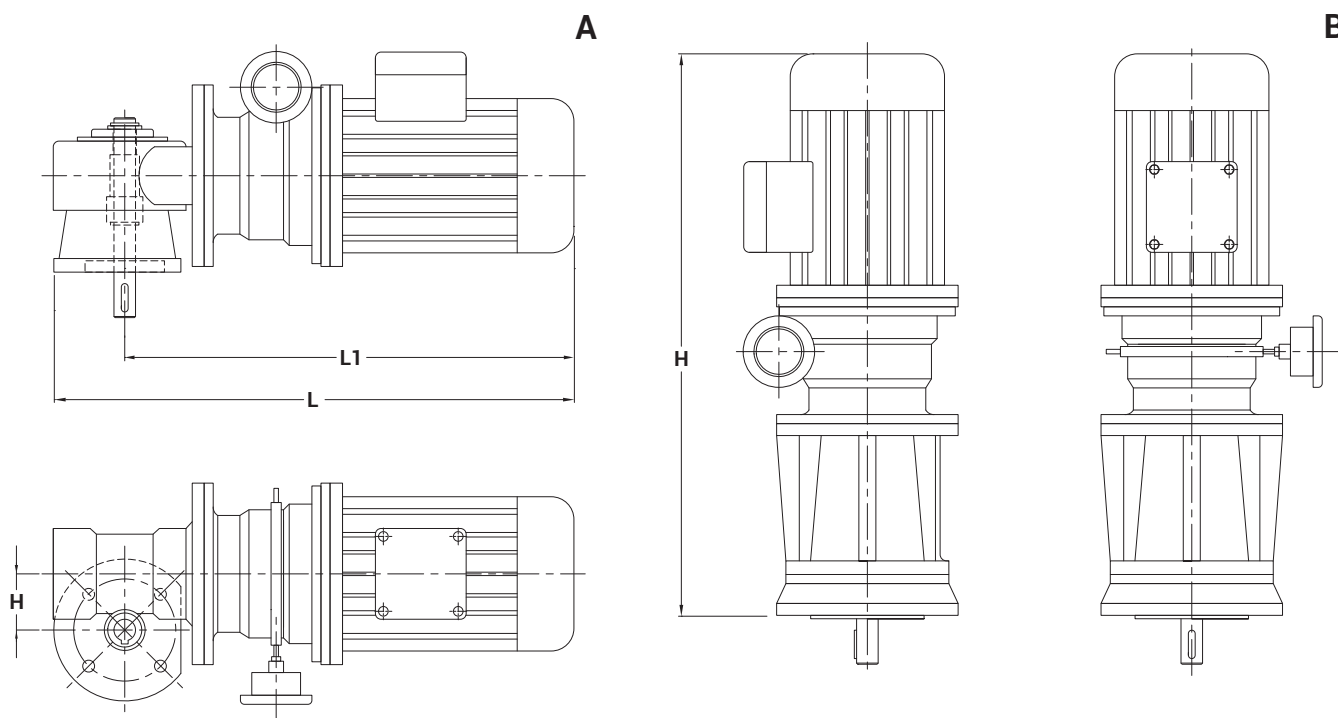
Mechanical seal for glass stirrers



DN	D	D1	H	CODE
50	150	30	230	STSAV050



ATEX Motovariator gear-reducers

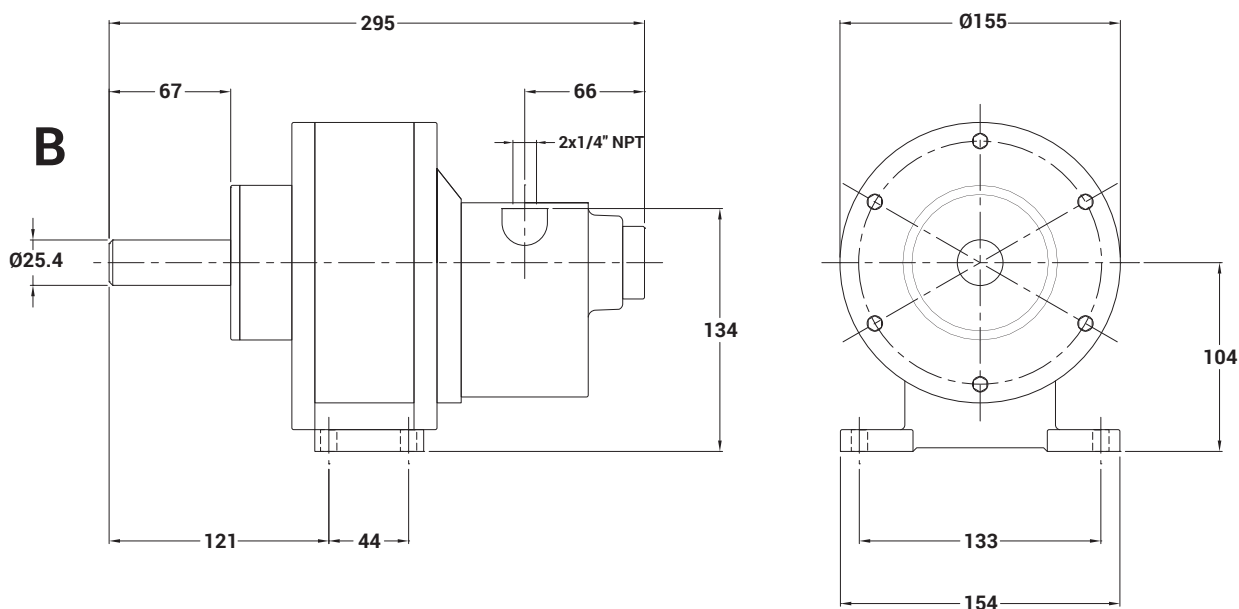
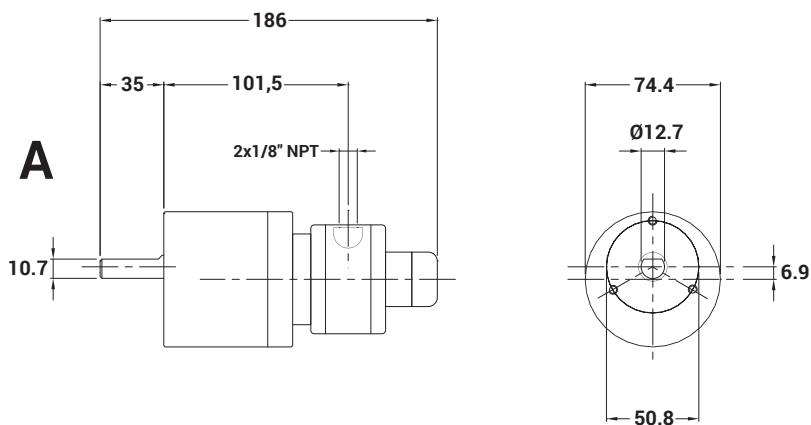


POWER (kW)	R.P.M.	X LITERS	L	L1	H(A)	H(B)	WEIGHT (kg)	TYPE A CODE	TYPE B CODE
0.18	55 ÷ 135	10 - 20	513	453	50	563	16(A); 20(B)	SMVRID.RA.018KW	SMVRID.V1.018KW
0.25	55 ÷ 135	30	567	487	50	617	19(A); 25(B)	SMVRID.RA.025KW	SMVRID.V1.025KW
0.37	55 ÷ 135	40 - 50	567	487	50	617	19(A); 25(B)	SMVRID.RA.037KW	SMVRID.V1.037KW
0.55	55 ÷ 135	100 - 200	623	543	50	673	22(A); 28(B)	SMVRID.RA.055KW	SMVRID.V1.055KW

Available motor-gear preset for inverter



Pneumatic motorgears



POWER (kW)	R.P.M.	X LITERS	TYPE	CODE
0.23	33 ÷ 400	10 e 20	A	SMPNE.GR11
1.25	20 ÷ 200	50 e 100	B	SMPNE.GR25

Stainless steel bracket for pneumatic motorgear Type A

CODE
SSMA40/50



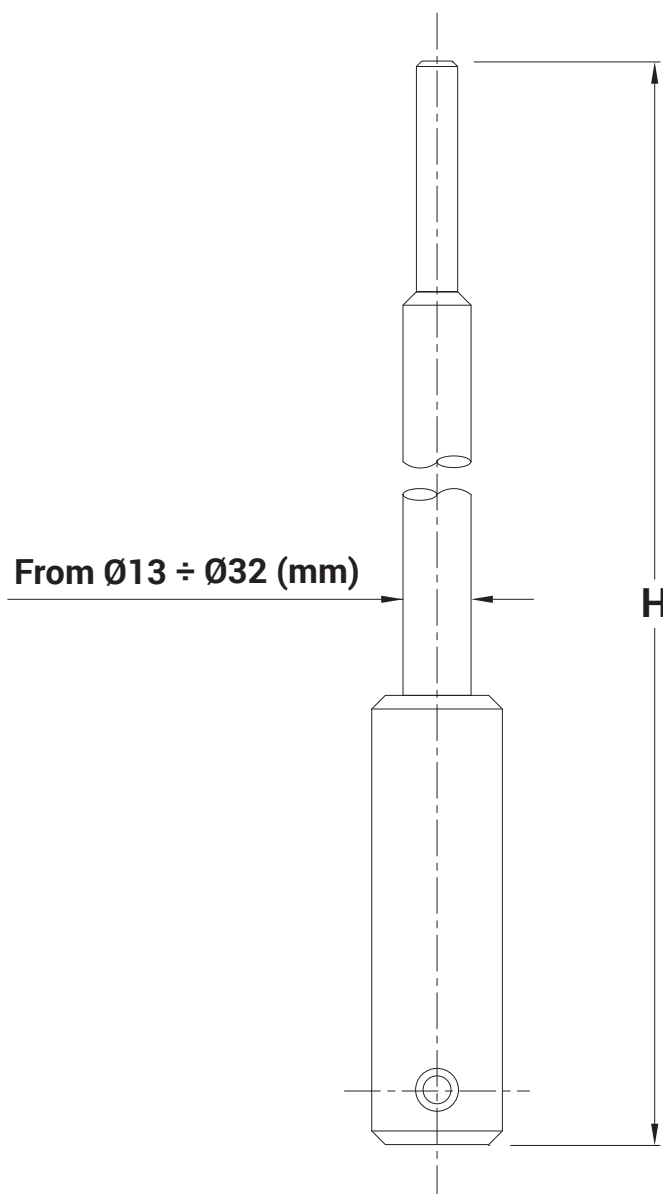
PTFE shaft agitators

Shaft for Reactors

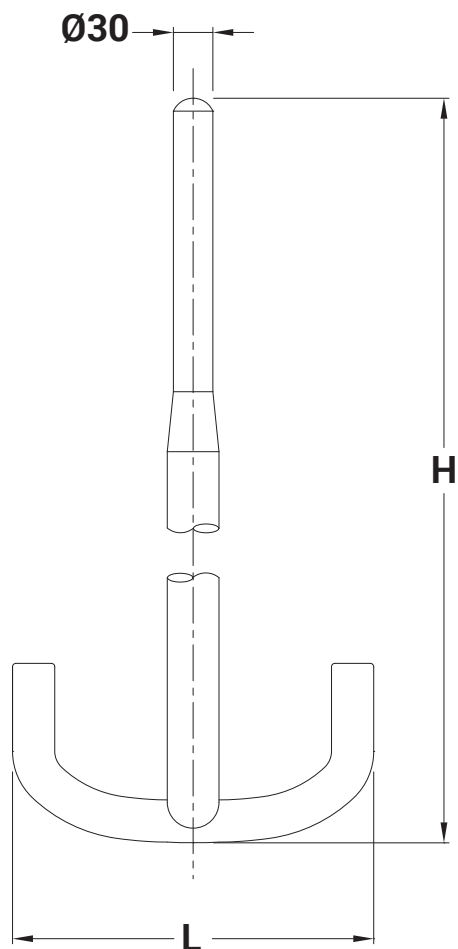
CAP. (L)	H	CODE
5	900	SAAGITRL005/150
10	900	SAAGITRL010/200
20	950	SAAGITRL020/300
30	1100	SAAGITRL030/300
50	1300	SAAGITRL050/300
50	1300	SAAGITRL050/400
100	1400	SAAGITRL100/400
100	1300	SAAGITRL100/450
150	1600	SAAGITRL150/450
200	1900	SAAGITRL200/450

Shaft for Vessels

CAP. (L)	H	CODE
20	1100	SAAGITRPL020L
50	1300	SAAGITRPL050L
100	1300	SAAGITRPL100L
200	1600	SAAGITRPL200L



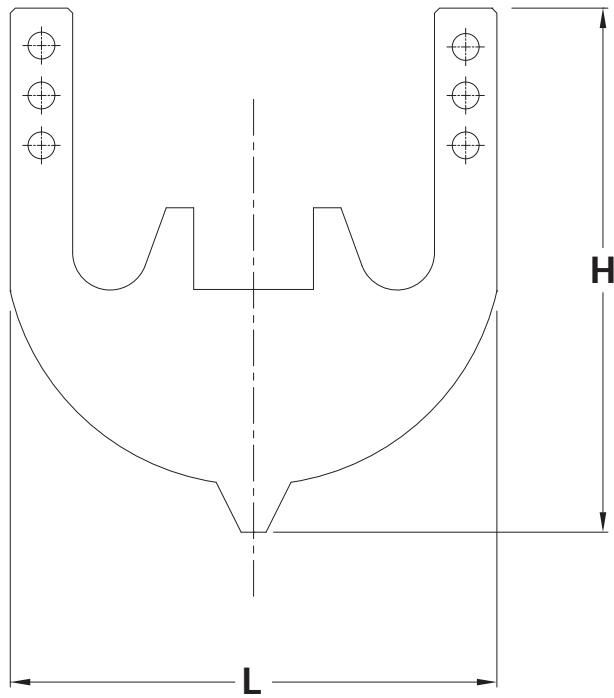
Glass shaft agitators



CAP. (L)	H	L	CODE
20	620	150	SSPG020
50	700	210	SSPG050
100	820	210	SSPG100
200	1000	245	SSPG200



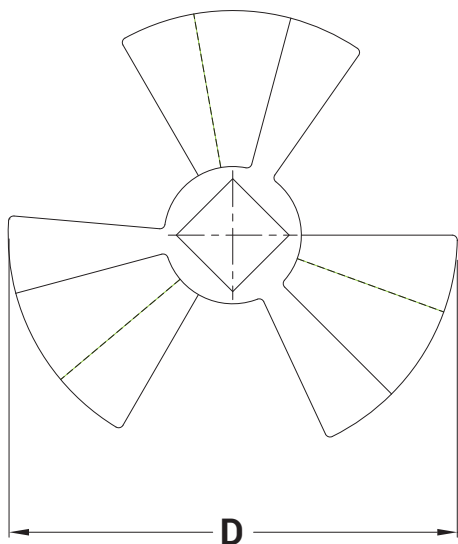
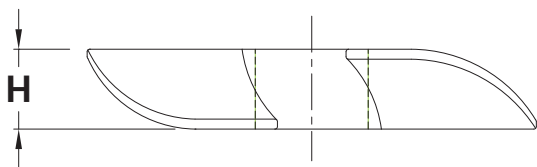
PTFE anchor impellers



DN	L	H	CODE
150	140	150	SPLA150
200	195	210	SPLA200
300	270	210	SPLA300
400	370	350	SPLA400
450	420	380	SPLA450



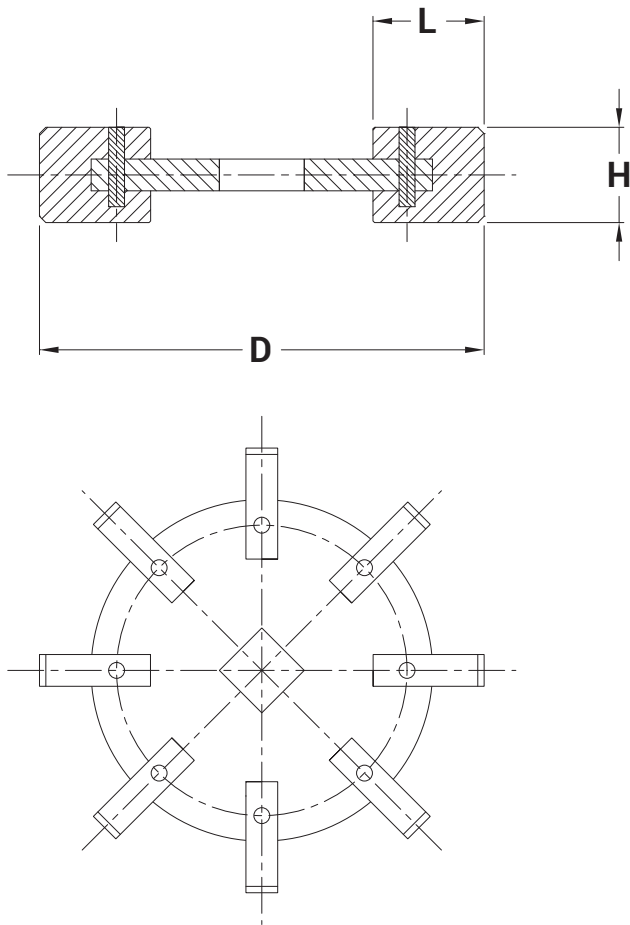
PTFE turbine impellers



DN	D	H	CODE
150	90	32	SPTUR150
200	120	32	SPTUR200
300	180	32	SPTUR300
400	240	32	SPTUR400
450	270	32	SPTUR450



PTFE Rushton impellers



DN	D	H	L	CODE
150	52	11	13	SPRUSHT150
200	70	14	18	SPRUSHT200
300	105	21	27	SPRUSHT300
400	140	28	35	SPRUSHT400
450	158	32	40	SPRUSHT450

